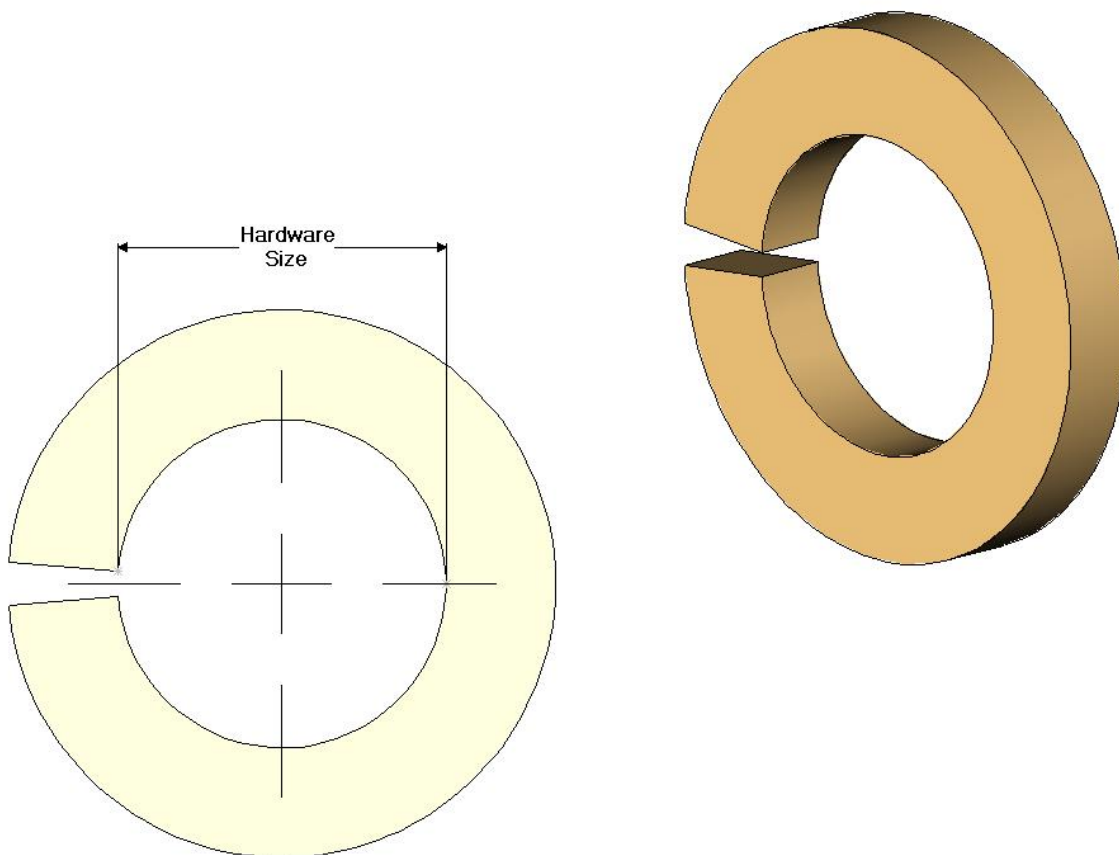


LW15x Series - Lock Washer Selection



LW15x Series - Lock Washer Selection

CSF P/N#	Hardware Size
LW151	#8 Hardware
LW152	#10 Hardware
LW153	#12 Hardware
LW154	1/4" Hardware
LW155	5/16" Hardware
LW156	3/8" Hardware
LW157	1/2" Hardware
LW158	5/8" Hardware

Notes:
 - Finish: zinc yellow

Specifications subject to change. Please contact CSF Customer Service for more information.